

CARSTOPPER 30 (BSI PAS68:2010 V/1500 (M1)/48/90/1.76/0.00)

PAS 68 Low Cost Shallow Mount Single Fixed/Removable Bollard



Application

- ▶ Airport
- ▶ Sports Arenas
- ▶ Retails Parks
- ▶ Police Stations
- ▶ Critical Infrastructure
- ▶ Government Buildings
- ▶ Conference Cnetes

“ZERO penetration upon impact from 90° angle”

CARSTOPPER 30

(Low cost single shallow mount removable bollard)

Carstopper 30 is a shallow mount single removable bollard. This new patent pending design is a technology break-through in shallow mount single removal bollard. This can be fitted in a single or long runs, it is the only 200 deep single removable car park bollard in the market to date. It is an ideal solution to protect the retail shops, banks, sports stadiums, cash machine (atm’s) and all accidental impacts.

This bollard is an ideal anti-ram bollard solution. It is tested for Anti-terrorist protection, giving you the highest specification available. On low impacts the spring bollard will not need replacing as it will return to its original position. The shallow foundation will reduce the need to re-divert utilities. The system is small and easy to install keeping installation cost low. Once fitted and covered with a stainless steel shroud it is aesthetically pleasing and will need no maintenance, for access to maintenance area the bollard can be removed easily.

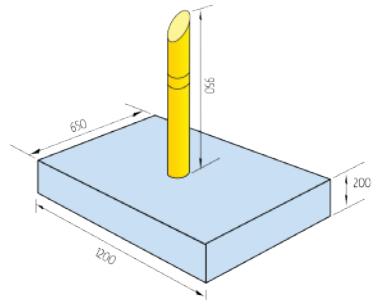


CARSTOPPER 30 PAS68 VEHICLE PERFORMANCE CLASSIFICATION

VEHICLE TEST WEIGHT	VEHICLE CLASS	VEHICLE SPEED	VEHICLE ANGLE	VEHICLE PENETRATION	25KG+ DISPERSION	FOOTING DEPTH
V/1500 KG	M1	48	90	0.0	1.76	200

CARSTOPPER 30 (BSI PAS68:2010 V/1500 (M1)/48/90/1.76/0.00)

PAS 68 Low Cost Shallow Mount Single Fixed/Removable Bollard



Product Specification:

Height above ground: 850mm

Footing Depth: Only 73mm

Options: Stainless steel & mild steel shroud available

