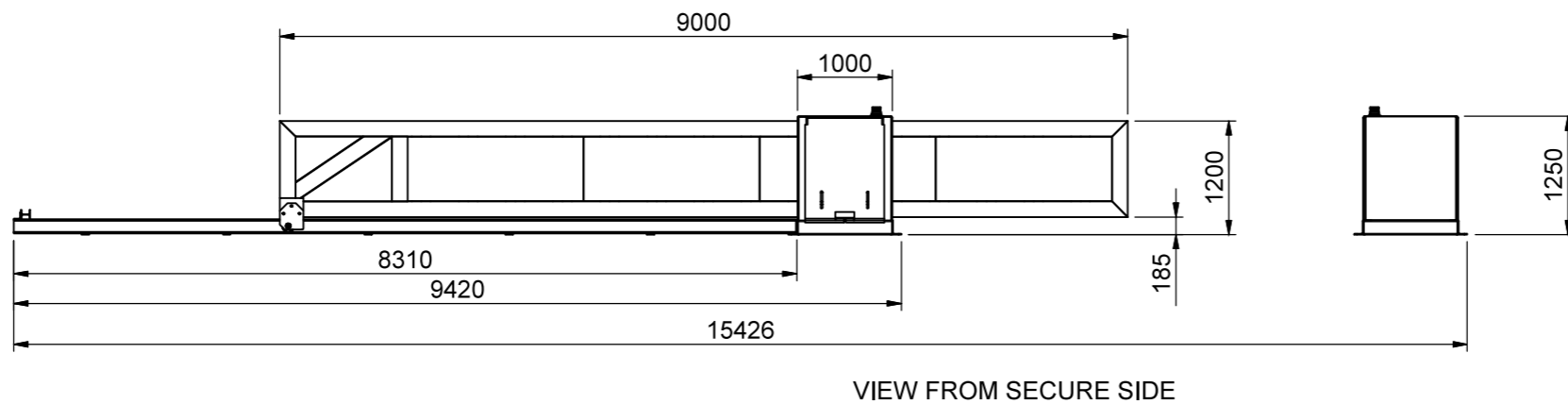
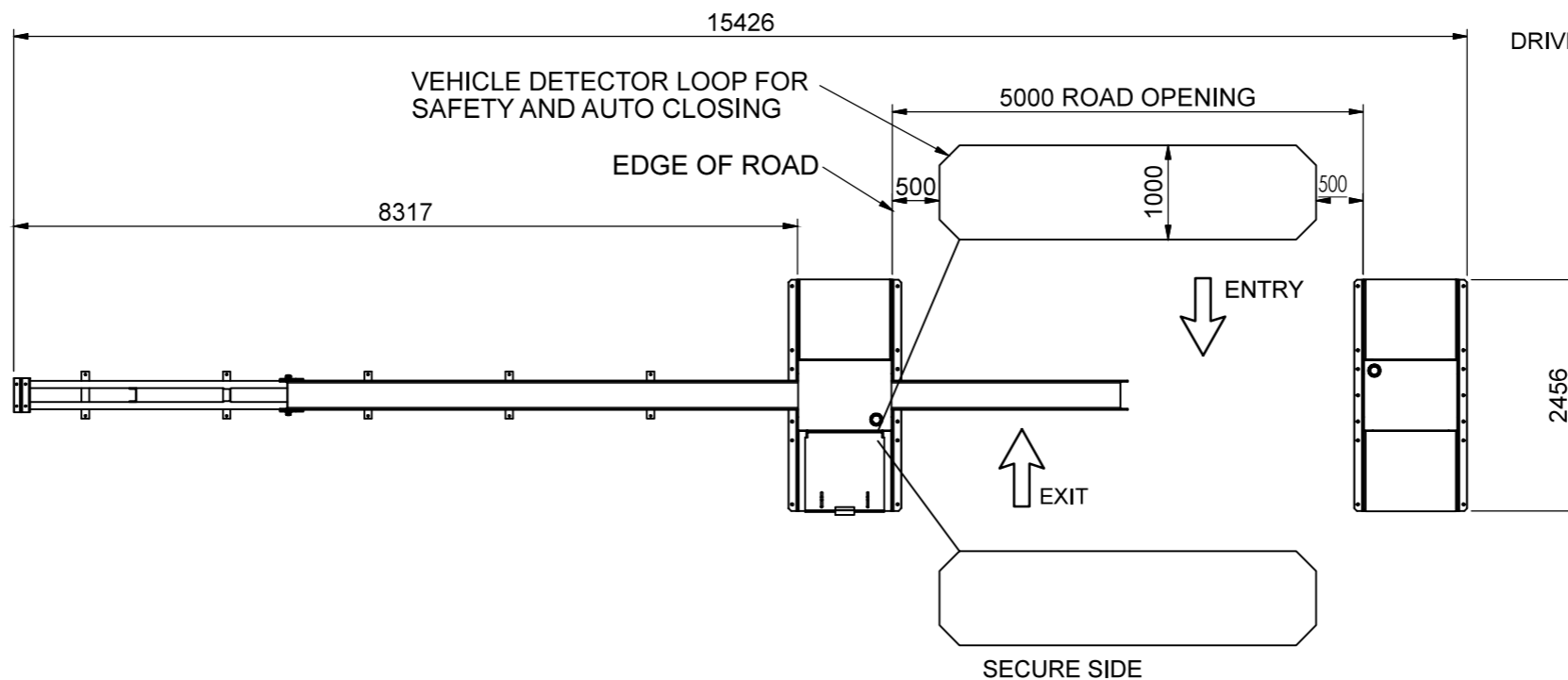
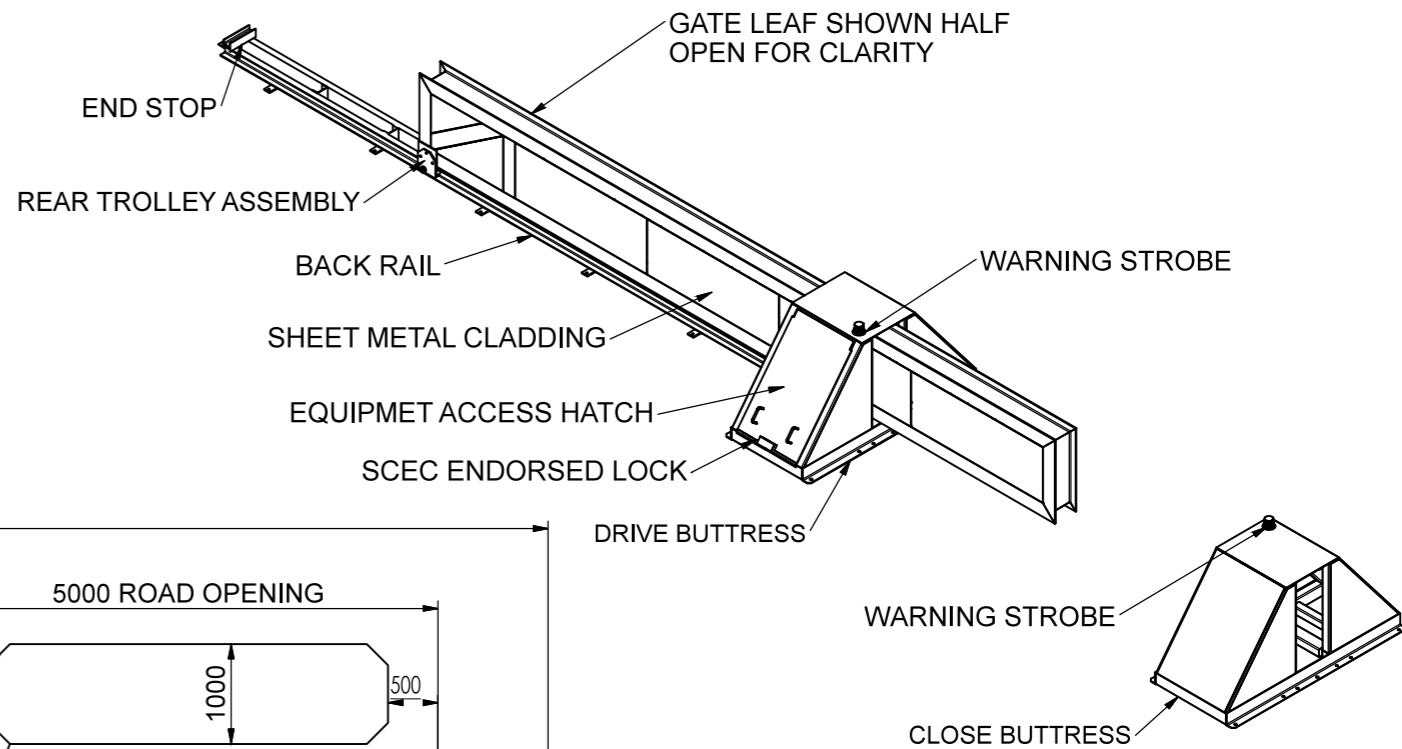


1 2 3 4 5 6 7 8

DO NOT SCALE DRAWING



VIEW FROM SECURE SIDE

AUSTRALIAN & INTERNATIONAL PATENTS PENDING

INTERNATIONAL APPLICATION NO. PCT/AU2004/001749

DIMENSIONS IN MM

FABRICATION TOLERANCES (UNLESS OTHERWISE NOTED)

UP TO 500MM	+/-1MM
501 TO 2000MM	+/-2MM
2001 TO 5000MM	+/-3MM
OVER 5000MM	+/-5MM

COMMERCIAL IN CONFIDENCE

THE INFORMATION CONTAINED IN THIS DRAWING IS THE SOLE PROPERTY OF EZI SECURITY SYSTEMS PTY LTD. ANY REPRODUCTION OR DISCLOSURE IN PART OR AS A WHOLE WITHOUT THE WRITTEN PERMISSION OF EZI SECURITY SYSTEMS IS PROHIBITED.

MATERIAL

FINISH

WEIGHT

DRAWN

P.PRIMMER

CHECKED

APPROVED

T. DONNELLY

DATE

01/08/2016

DATE

DATE



EZI SECURITY SYSTEMS PTY LTD
11 COOPER ST SMITHFIELD 2164 NSW AUSTRALIA

TITLE:

EZI TRUCKSTOPPER 5.0M LEFT HAND WITH FENCE TOP

SCALE

SHEET SIZE

DWG NO.

TS-050L

P: 1300 558 304

WWW.EZISECURITY.COM.AU

SHEET No.

SHEET 1

REVISION

2

1 2 3 4 5 6 7 8