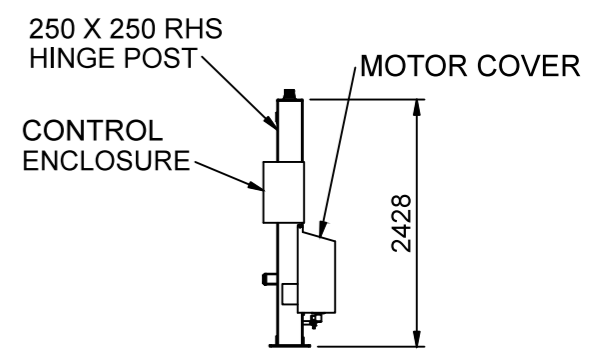
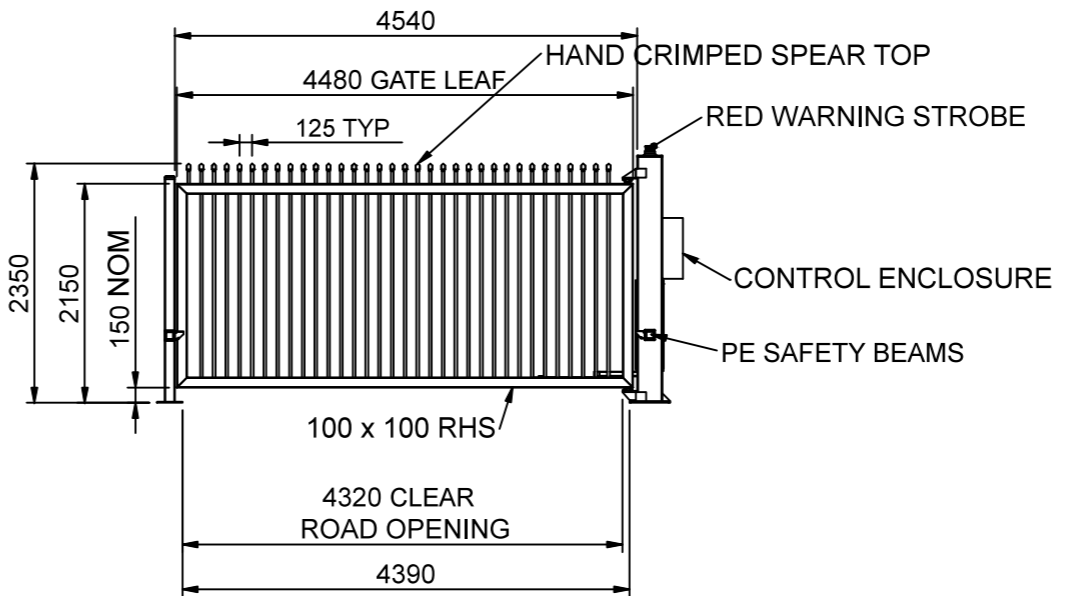
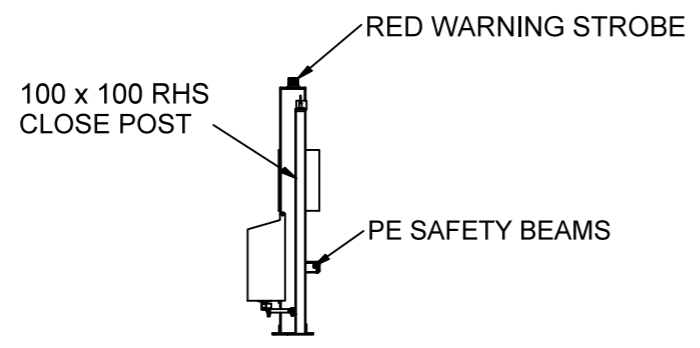
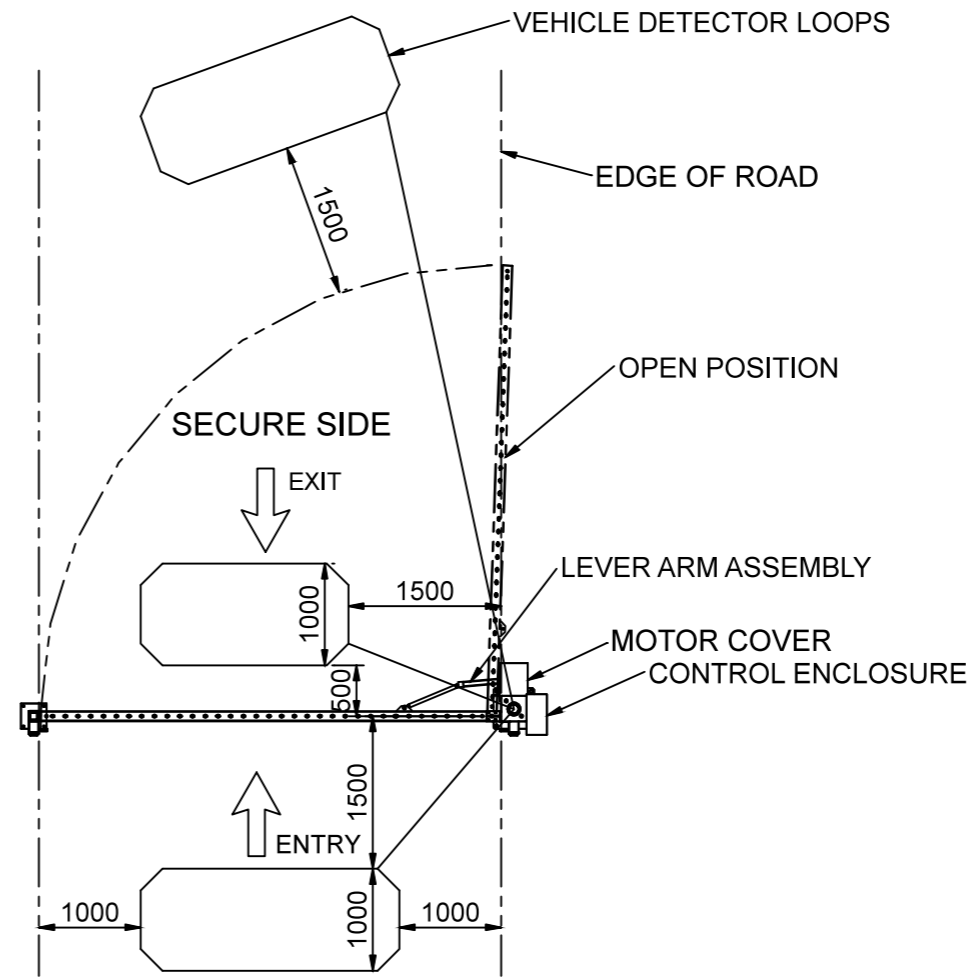
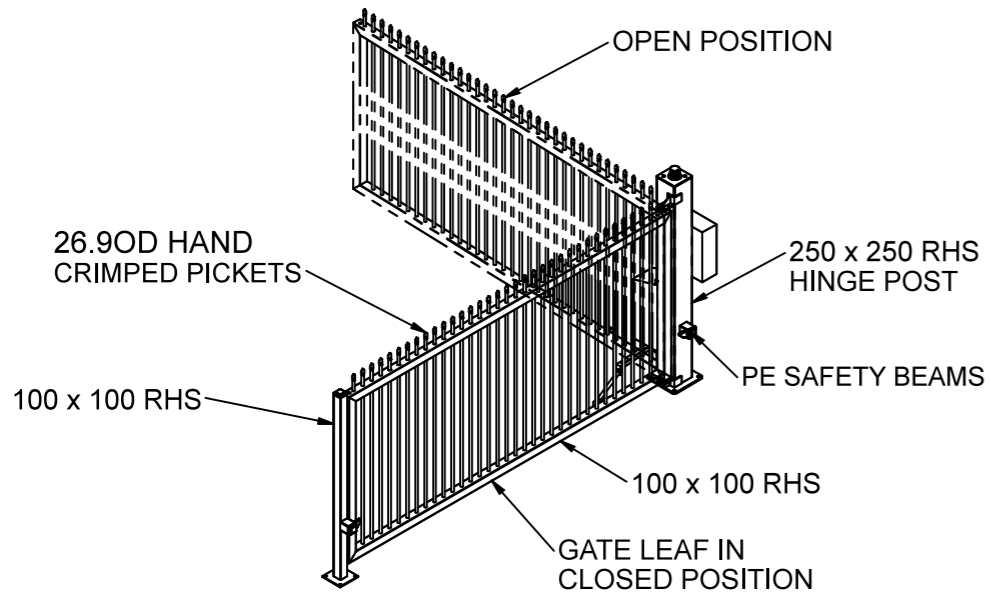


DO NOT SCALE DRAWING



DIMENSIONS IN MM

FABRICATION TOLERANCES (UNLESS OTHERWISE NOTED)

UP TO 500MM	+/-1MM
501 TO 2000MM	+/-2MM
2001 TO 5000MM	+/-3MM
OVER 5000MM	+/-5MM

COMMERCIAL IN CONFIDENCE

THE INFORMATION CONTAINED IN THIS DRAWING IS THE SOLE PROPERTY OF EZI SECURITY SYSTEMS PTY LTD. ANY REPRODUCTION OR DISCLOSURE IN PART OR AS A WHOLE WITHOUT THE WRITTEN PERMISSION OF EZI SECURITY SYSTEMS IS PROHIBITED.

MATERIAL	DRAWN P.PRIMMER	DATE 01/08/2016
FINISH	CHECKED	DATE
WEIGHT	APPROVED T. DONNELLY	DATE

EZI SECURITY SYSTEMS PTY LTD
11 COOPER ST SMITHFIELD 2164 NSW AUSTRALIA
P: 1300 558 304
WWW.EZISECURITY.COM.AU

SWING GATE 4.0M LEFT HAND

SCALE	SHEET SIZE	DWG NO. SG-040L	SHEET No. SHEET 1	REVISION 0
-------	------------	---------------------------	-----------------------------	----------------------