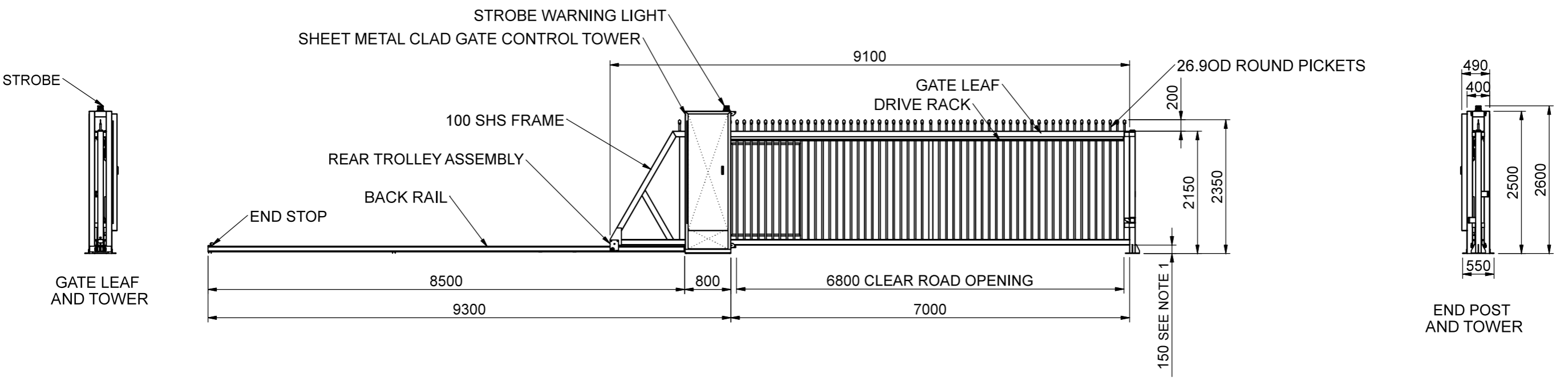
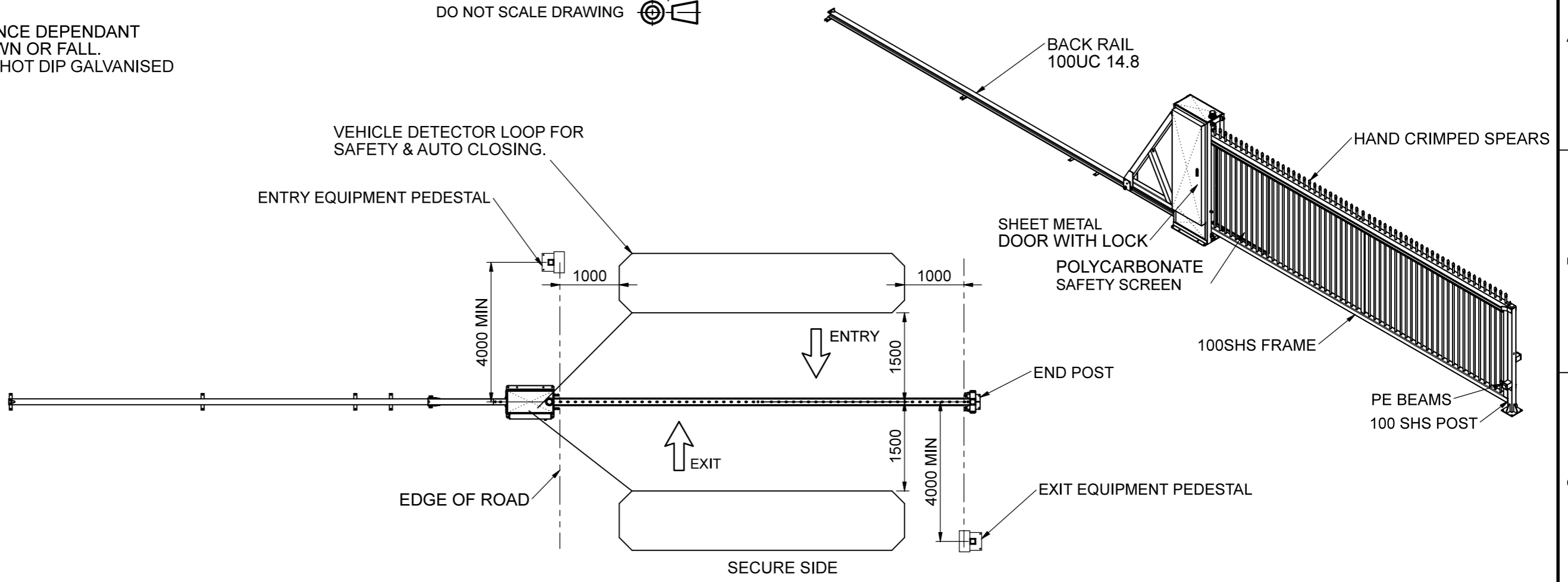


- NOTES:
 1. NOMINAL CLEARANCE DEPENDANT UPON ROAD CROWN OR FALL.
 2. STANDARD FINISH HOT DIP GALVANISED

DO NOT SCALE DRAWING



DIMENSIONS IN MM FABRICATION TOLERANCES (UNLESS OTHERWISE NOTED)	COMMERCIAL IN CONFIDENCE <small>THE INFORMATION CONTAINED IN THIS DRAWING IS THE SOLE PROPERTY OF EZI AUTOMATION PTY LTD. ANY REPRODUCTION OR DISCLOSURE IN PART OR AS A WHOLE WITHOUT THE WRITTEN PERMISSION OF EZI AUTOMATION IS PROHIBITED.</small>	MATERIAL	DRAWN P.PRIMMER	DATE 01/08/2016	EZI SECURITY SYSTEMS PTY LTD 11 COOPER ST SMITHFIELD 2164 NSW AUSTRALIA WWW.EZISECURITY.COM.AU P: 1300 558 304
		FINISH	CHECKED	DATE	
		WEIGHT	APPROVED T. DONNELLY	DATE	
TITLE: CANTILEVER SLIDING GATE 7.0M LEFT HAND		SCALE	SHEET SIZE	DWG NO. CG-070L	SHEET No. SHEET 1
					REVISION 0