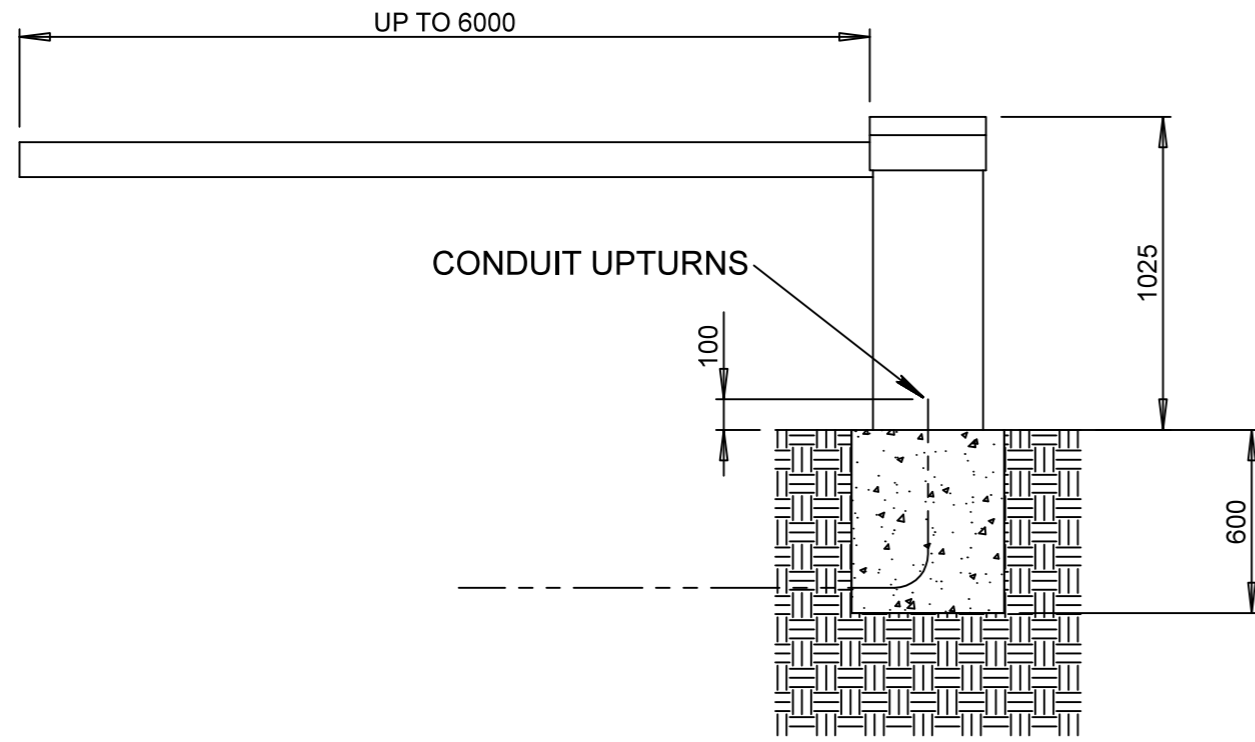
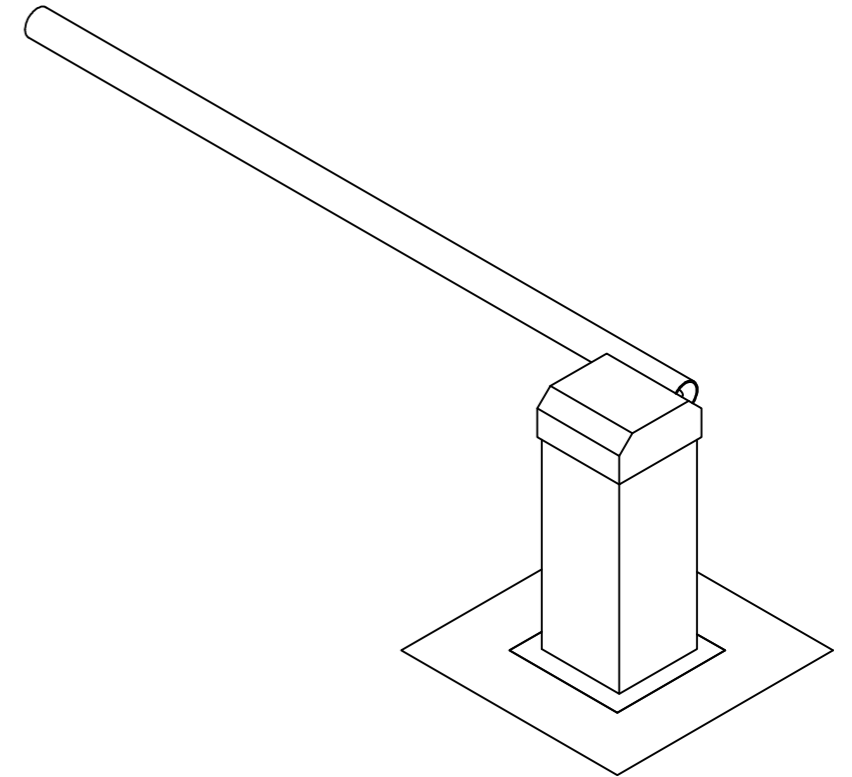
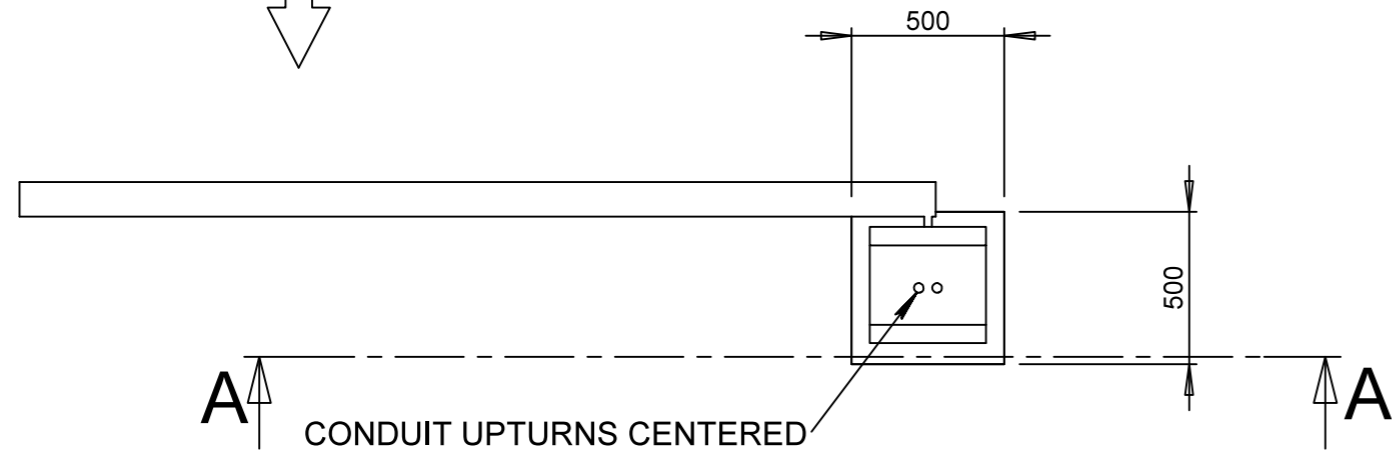
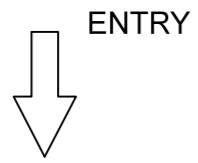
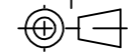


DO NOT SCALE DRAWING



SECTION A-A

DIMENSIONS IN MM	
FABRICATION TOLERANCES (UNLESS OTHERWISE NOTED)	
UP TO 500MM	+/-1MM
501 TO 2000MM	+/-2MM
2001 TO 5000MM	+/-3MM
OVER 5000MM	+/-5MM

**COMMERCIAL IN CONFIDENCE**

THE INFORMATION CONTAINED IN THIS DRAWING IS THE SOLE PROPERTY OF EZI AUTOMATION PTY LTD. ANY REPRODUCTION OR DISCLOSURE IN PART OR AS A WHOLE WITHOUT THE WRITTEN PERMISSION OF EZI AUTOMATION IS PROHIBITED.

MATERIAL	DRAWN <b>P.PRIMMER</b>	DATE <b>01/08/16</b>
FINISH	CHECKED	DATE
WEIGHT	APPROVED <b>T. DONNELLY</b>	DATE

<b>EZI SECURITY SYSTEMS PTY LTD</b> 11 COOPER ST SMITHFIELD 2164 NSW AUSTRALIA			<b>P: 1300 558 304</b> <a href="http://WWW.EZISECURITY.COM.AU">WWW.EZISECURITY.COM.AU</a>	
<b>TITLE: BOOM GATE DIMENSIONS</b>				
SCALE	SHEET SIZE	DWG NO.	SHEET No.	REVISION
			<b>SHEET 1</b>	<b>0</b>