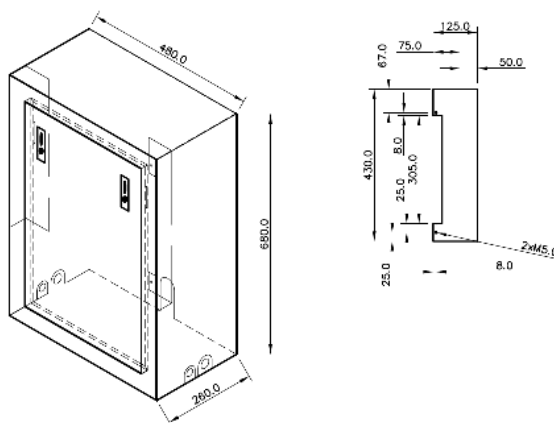


**TECHNICAL DATA**



**INDUSTRIAL SLIDING GATE SYSTEM**

|                     |  |
|---------------------|--|
| Gate width          | 3 metres to 10 metres (custom available)       |
| Gate height         | 2200mm standard                                |
| Gate clearance      | 150mm nominal                                  |
| Gate erected height | 2350mm nominal                                 |
| Gate frame          | 100mm sq RHS (minimum)                         |
| Gate end post       | 100mm sq RHS                                   |
| Gate tower          | 100mm sq RHS                                   |
| Gate tower height   | 2500mm nominal                                 |
| Gate tower cladding | Galvanised sheet metal (1.6mm)                 |
| Gate back rail      | 102mm I beam                                   |
| Gate finish         | Hot dip galvanised (optional 2 pack paint)     |
| Gate bearings       | Fully sealed                                   |
| Guide rollers       | Black PVC nylon                                |
| Main rollers        | Zinc plated, mild steel (40 ton rated)         |
| Motor release       | Unbolt quick release                           |
| Motor               | 0.75kw three phase brake motor                 |
| Gearbox             | Worm drive (ratio's variable)                  |
| Drive cog           | Industrial grade mild steel                    |
| Drive rack          | Nylon or steel                                 |
| Control logic       | True PLC, 24v DC                               |
| Drive logic         | VSD 240v single phase to 240v three phase      |
| Power supply        | Regulated 240v to 24v DC                       |
| Control enclosure   | IP56, mild steel, painted, 260 x 480 680mm     |
| Position sensing    | Proximity sensors, NPN 24v DC                  |
| Safety (pedestrian) | Photo electric cells, 24v DC, fail safe        |
| Safety (vehicle)    | Inductive loops & detectors, 24v DC, fail safe |
| Gate duty cycle     | True 100% cycling as per Ezi's standard        |
| Power requirement   | 240v, 15 amp supply                            |
| Current draw        | 4 amp running, 8 amp start up                  |
| Strobe light        | Orange, 24v DC - optional                      |
| Piezo               | 24v DC (pulsing) - optional                    |
| Polycarbonate       | High impact safety screen - optional           |

**1300 558 304**