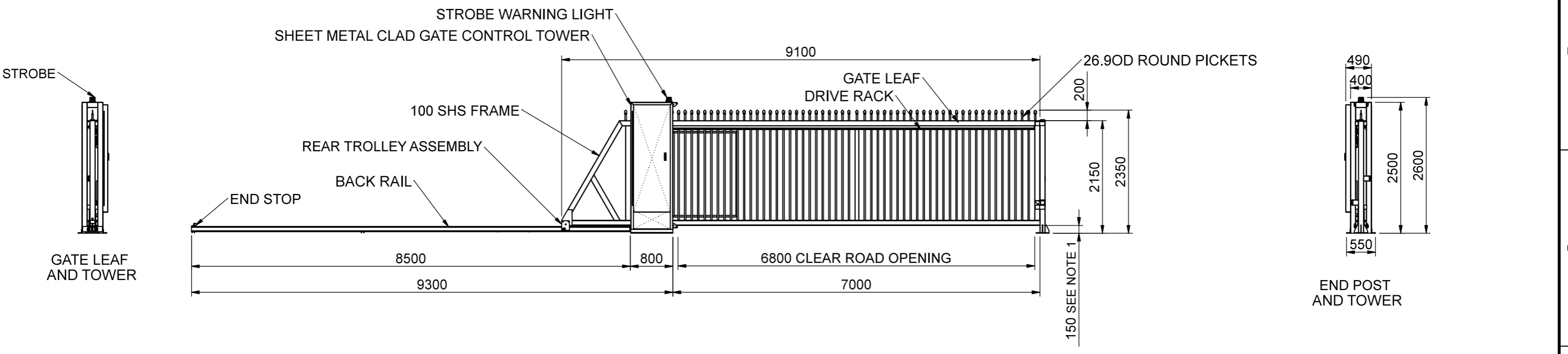
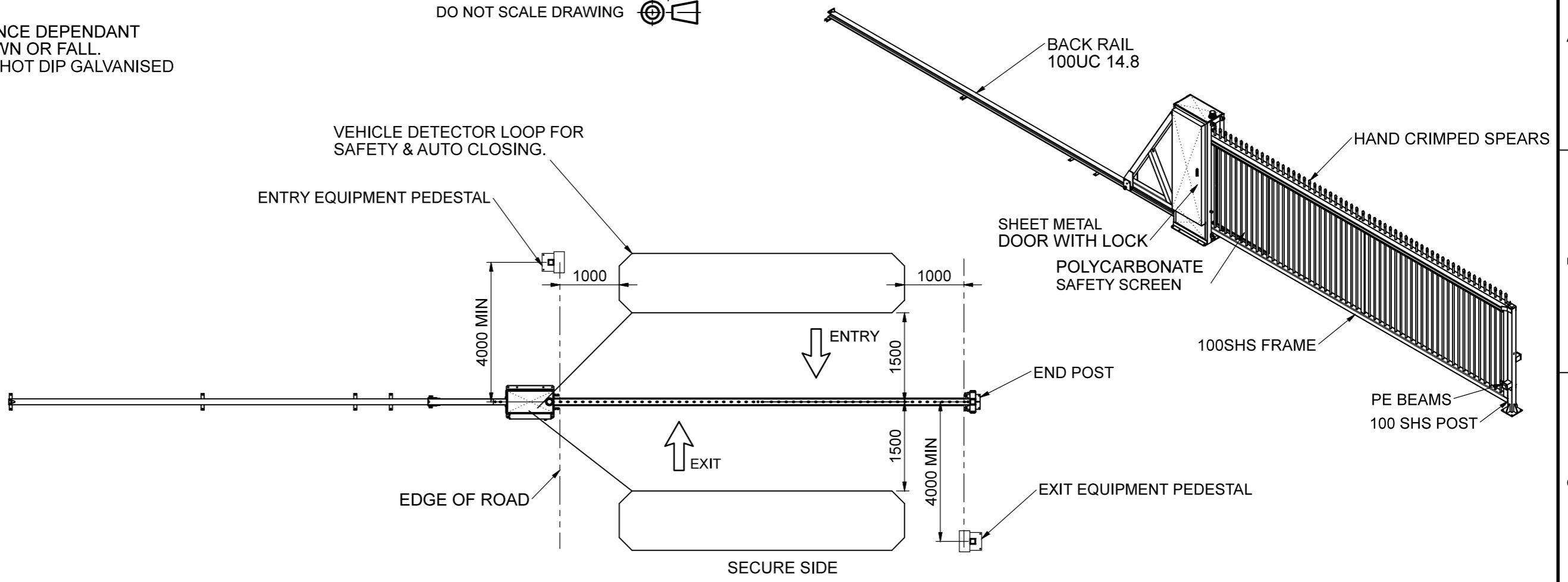


- NOTES:
 1. NOMINAL CLEARANCE DEPENDANT UPON ROAD CROWN OR FALL.
 2. STANDARD FINISH HOT DIP GALVANISED

DO NOT SCALE DRAWING



1	2	3	4	5	6	7	8	DIMENSIONS IN MM		COMMERCIAL IN CONFIDENCE	MATERIAL	DRAWN P.PRIMMER	DATE 01/08/2016	EZI SECURITY SYSTEMS PTY LTD 11 COOPER ST SMITHFIELD 2164 NSW AUSTRALIA	P: 1300 558 304 WWW.EZISECURITY.COM.AU										
								FABRICATION TOLERANCES (UNLESS OTHERWISE NOTED)								THE INFORMATION CONTAINED IN THIS DRAWING IS THE SOLE PROPERTY OF EZI AUTOMATION PTY LTD. ANY REPRODUCTION OR DISCLOSURE IN PART OR AS A WHOLE WITHOUT THE WRITTEN PERMISSION OF EZI AUTOMATION IS PROHIBITED.	FINISH	CHECKED	DATE	TITLE: CANTILEVER SLIDING GATE 7.0M LEFT HAND	SCALE	SHEET SIZE	DWG NO. CG-070L	SHEET No. SHEET 1	REVISION 0
								UP TO 500MM	+/-1MM																