

Ezi Security Pedestals & Posts

Ezi Security manufactures its products where we are able to guarantee optimum quality control

Ezi Security specialises in the manufacturing, sales, installation and servicing of physical barrier systems to our exacting standards



At Ezi we manufacture a range of access control equipment pedestals, camera posts and traffic light pedestals that are specifically designed to compliment your perimeter security control.

Generally, equipment pedestals are designed to house at the appropriate vehicle heights, access control systems, camera's and/or voice communication devices to effect authorised access through automated gate systems.

As with all Ezi products, our equipment pedestals are of a robust steel construction and painted in high visibility safety yellow. As we are an original equipment manufacturer, Ezi can design pedestals and specialised items to suit your individual requirements. Ezi may also hot dip galvanise your pedestals should this be your preferred finish.

All Ezi equipment pedestals have a generous 356mm square mounting area protected by an equally generous weather shroud.

All Ezi equipment pedestals come standard with a stand-off mounting plate that allows intercom systems etc to be flush mounted and all cabling to be readily trunked.

Whether your equipment pedestal is car height or a combination of car and truck height, Ezi can design a gooseneck extension/s to facilitate the easy reach of access equipment by visitors.

Ezi is also expert at designing specific products to suit your individual requirements.

Multifunctional equipment posts that combine equipment pedestals, camera mounting points, security sensor lighting and traffic lights form part of our extensive design portfolio.

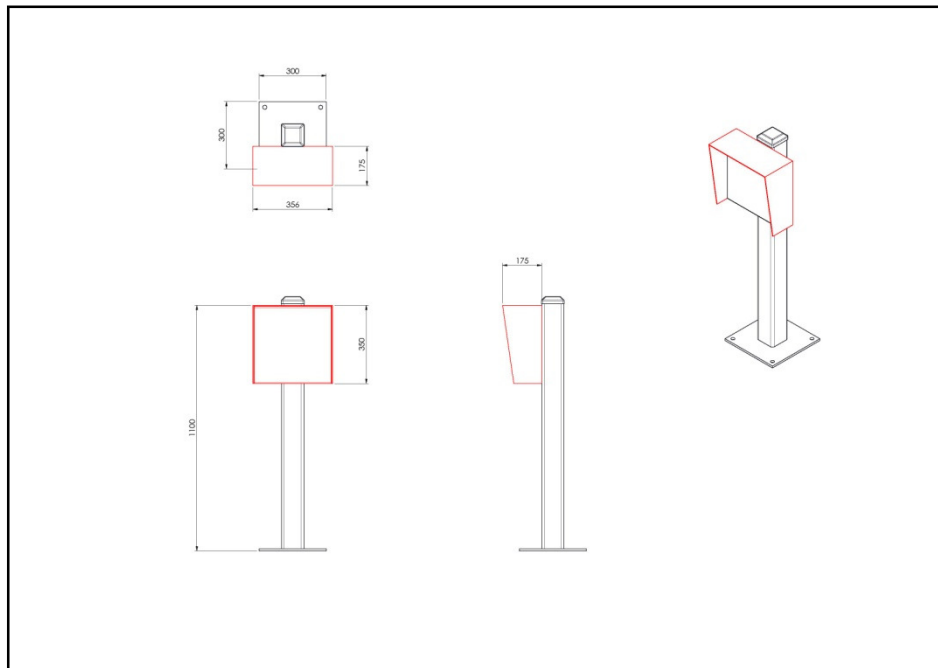
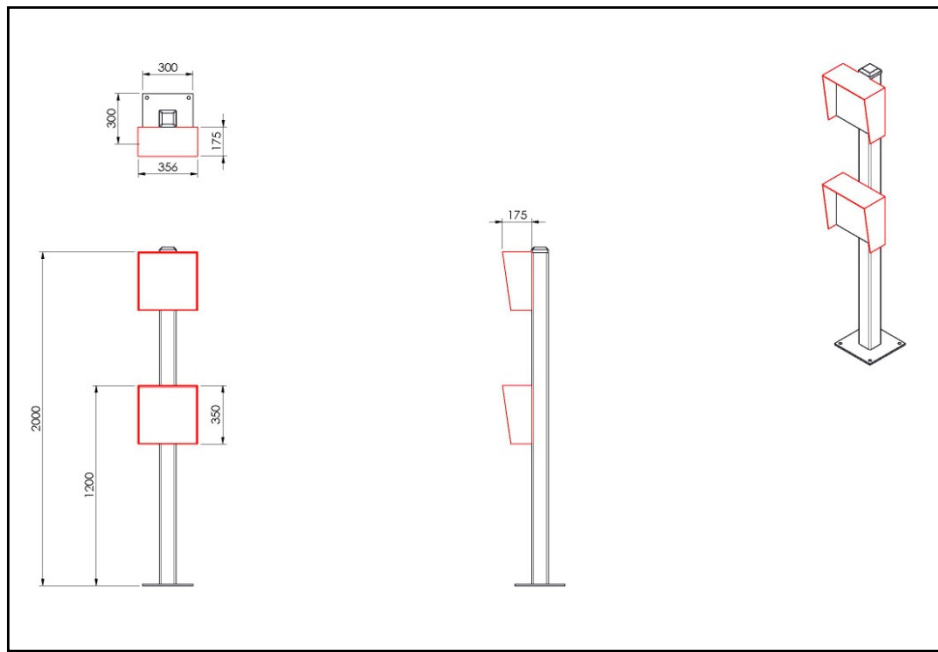
Ezi is also able to produce corporate signage to suit your portal requirements that take the hassle out of potential traffic control issues.

Please ask your friendly Ezi Sales executive for a device to suit your needs.

EZI SECURITY SYSTEMS has established an enviable reputation in the Australian security industry since its inception in 1993. This Australian owned company is renowned for its quality craftsmanship and outstanding customer service support.

ABN: 60 124 510 783 MASTER LICENCE: 409915903 ASIAL: 025567

Technical Data for standard Pedestals



Standard Pedestal Specifications

Pedestal height (car)	1100mm
Pedestal height (car & truck)	2000mm
Pedestal width	
Base plate dimension	365mm x 365mm
Pedestal finish	Standard powder coat painted safety yellow
Bolts	M16, masonry anchors



EZI SECURITY SYSTEMS

15 PEMBERTON STREET, BOTANY NSW 2019 TEL: (02) 9316 4477 FAX: (02) 9316 9852

1300 558 304

www.ezisecurity.com.au